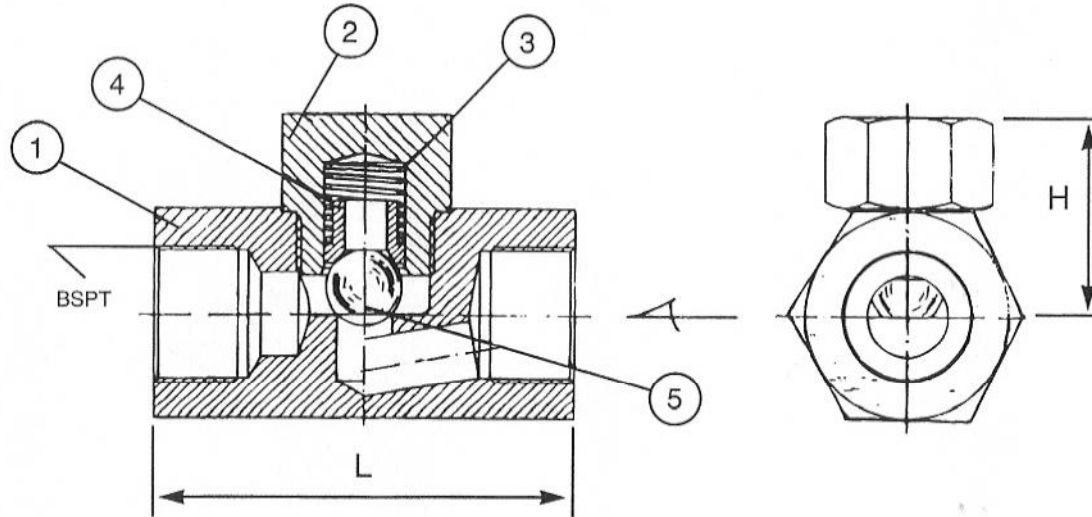


- Options:**
- Special Springs for specific Cracking Pressures. ⑤
  - Ball options for Air & Gases. ⑥

**Pressures: 50 MPa**  
 Working: 40 MPa @ 100°C  
 10 MPa @ 250°C

**Services:** Instrumentation and  
 Hydraulic Medias, Liquids and Gases  
 Steam: 7 MPa @ 350°C



**Connections:** BSPT (AS1722.1) Std  
**Options –** NPT Thread: Socket Weld:  
 Compression Types

**Dimensions**

Size mm	6 & 8	10	15	20	25	32	40	50	65	80	100
L	51	51	77	82	95	127	127	TBA	•	•	•
H	26	26	26	41	44	56	56	TBA	•	•	•
D	4.8	4.8	6.3	7.5	9.5	17.5	17.5	TBA	•	•	•
Wt/kgs	0.3	0.3	0.4	0.9	1.1	4.0	4.0	TBA	•	•	•

ITEM	DESCRIPTION	MAT'L	STANDARD
5	BALL – VALVE	STAINLESS STEEL	AISI302
4	SPRING RETAINER	STAINLESS STEEL	ASTM A276 AISI316
3	SPRING	STAINLESS STEEL	JIS64313 GR304
2	COVER	CARBON STEEL	AS1443 12L14
1	BODY	CARBON STEEL	AS1443 12L14

**PVA PROMET VALVES AUSTRALIA**  
 1A Green Road Woodville West SA 5011  
 www.prometvalves.com promet@prometvalves.com  
 T: 08 8268 1777 ABN 47096 425 697 F: 08 8268 1711

FIG No  
**CC794** CARBON STEEL –  
 BALL CHECK VALVE